

MC9S12

16-bit core

up to 128K bytes of Flash

4K bytes of RAM

asynchronous serial communications interface (SCI),

serial peripheral interface (SPI),

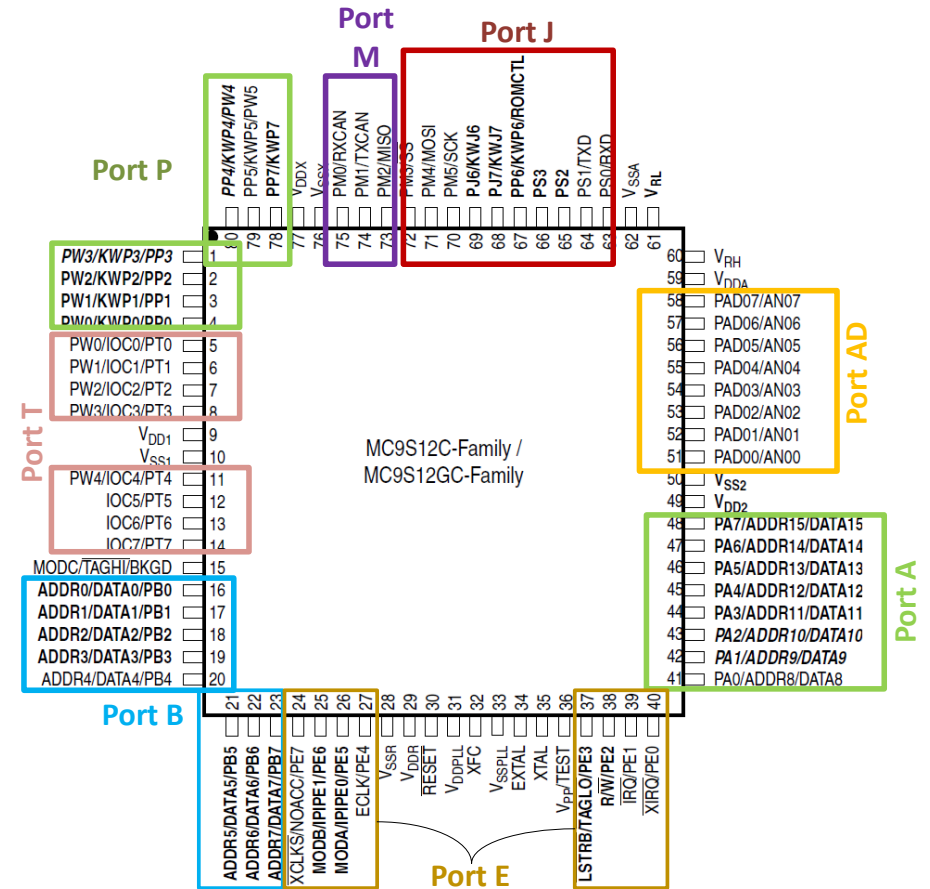
8-channel 16-bit timer module (TIM)

6-channel 8-bit pulse width modulator (PWM),

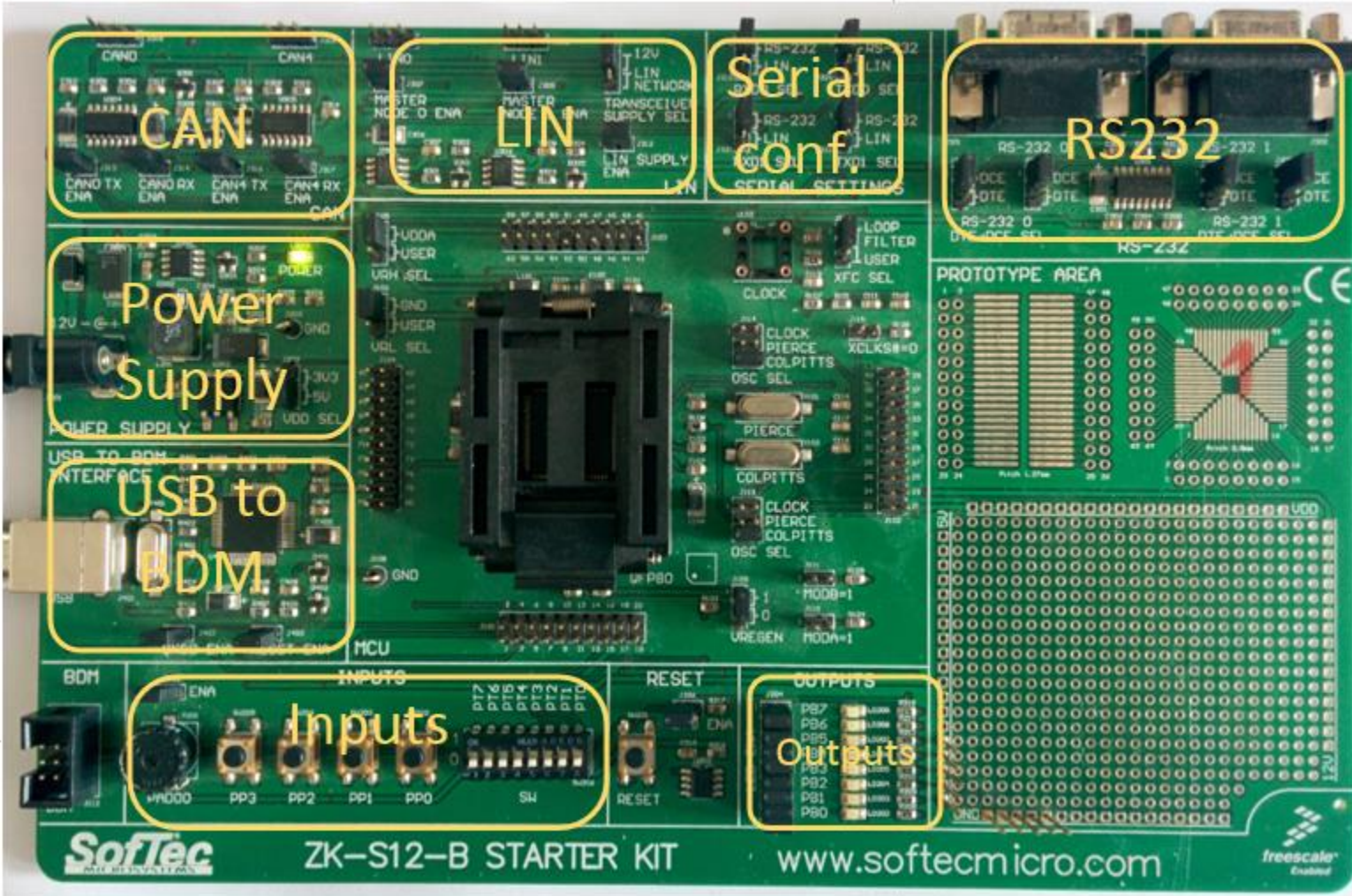
8-channel, 10-bit analog-to-digital converter (ADC).

CAN

48-, 52-, and 80- pin QFP packages



ZK-S12-B STARTER KIT



CAN transceivers

LIN transceivers

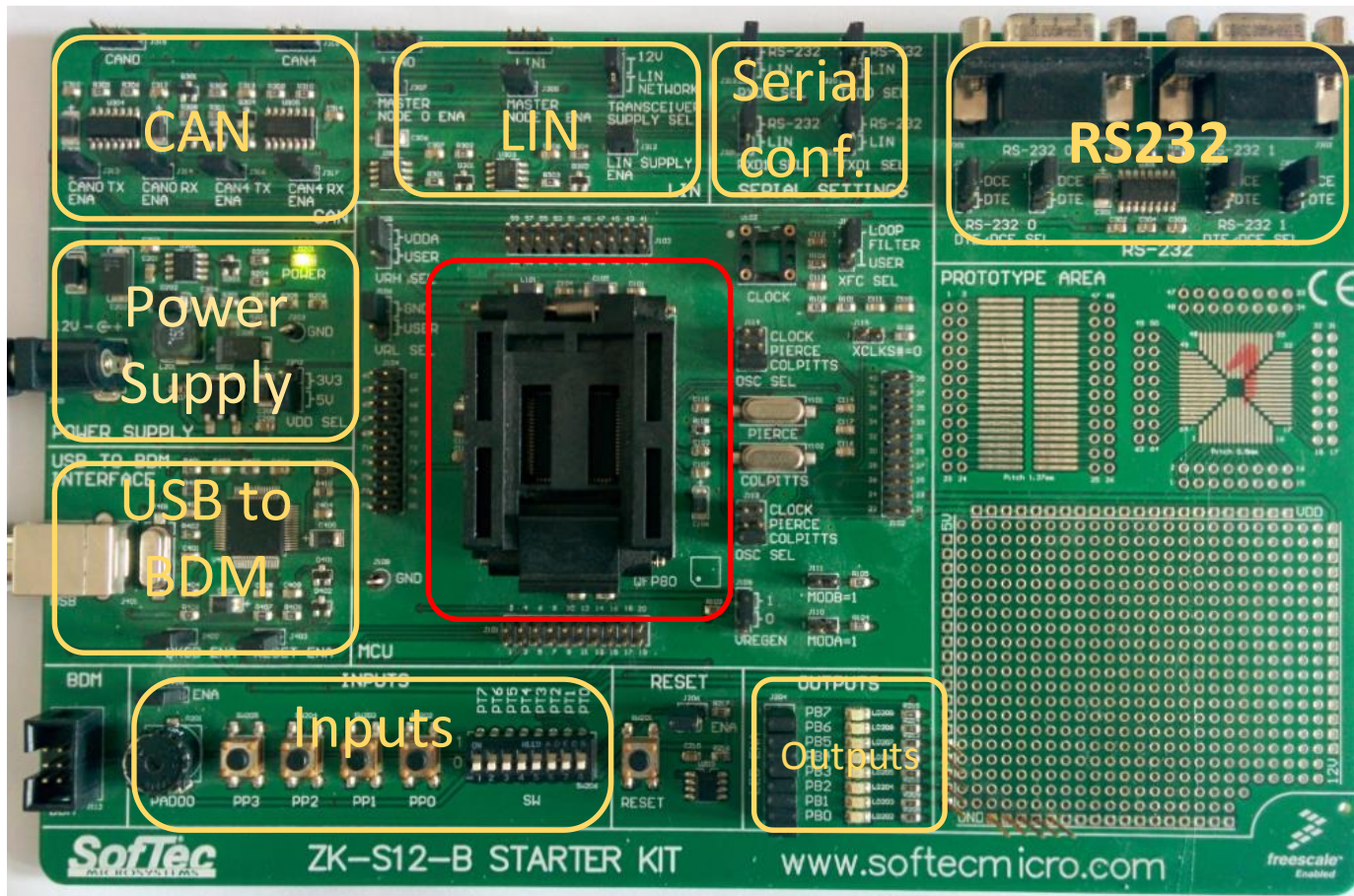
RS-232 transceivers

USB to BDM

INPUTS

OUTPUTS

Prototype area

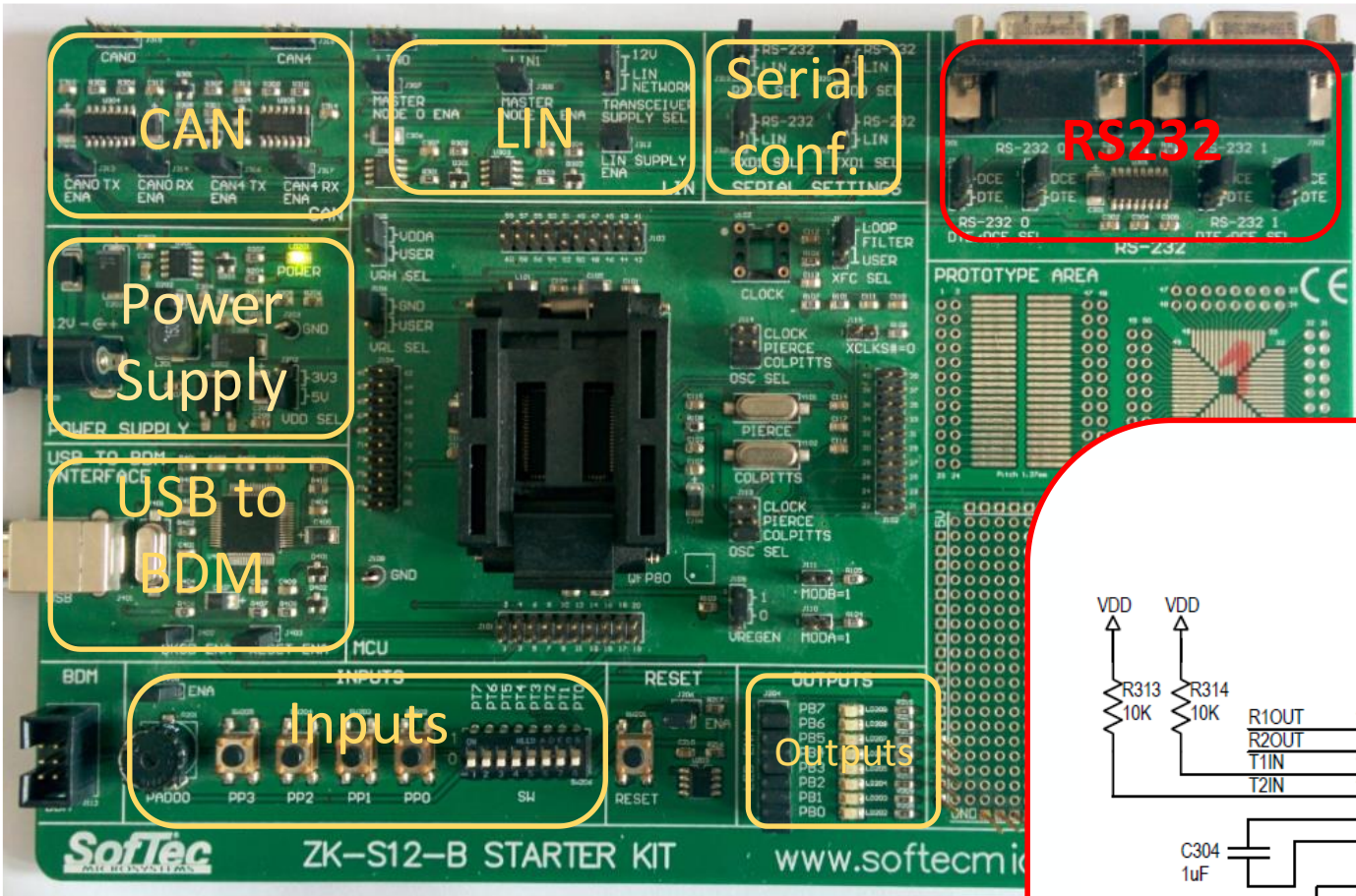


80-Pin LQFP ZIF Socket

LQFP-Low Profile Quad Flat Package

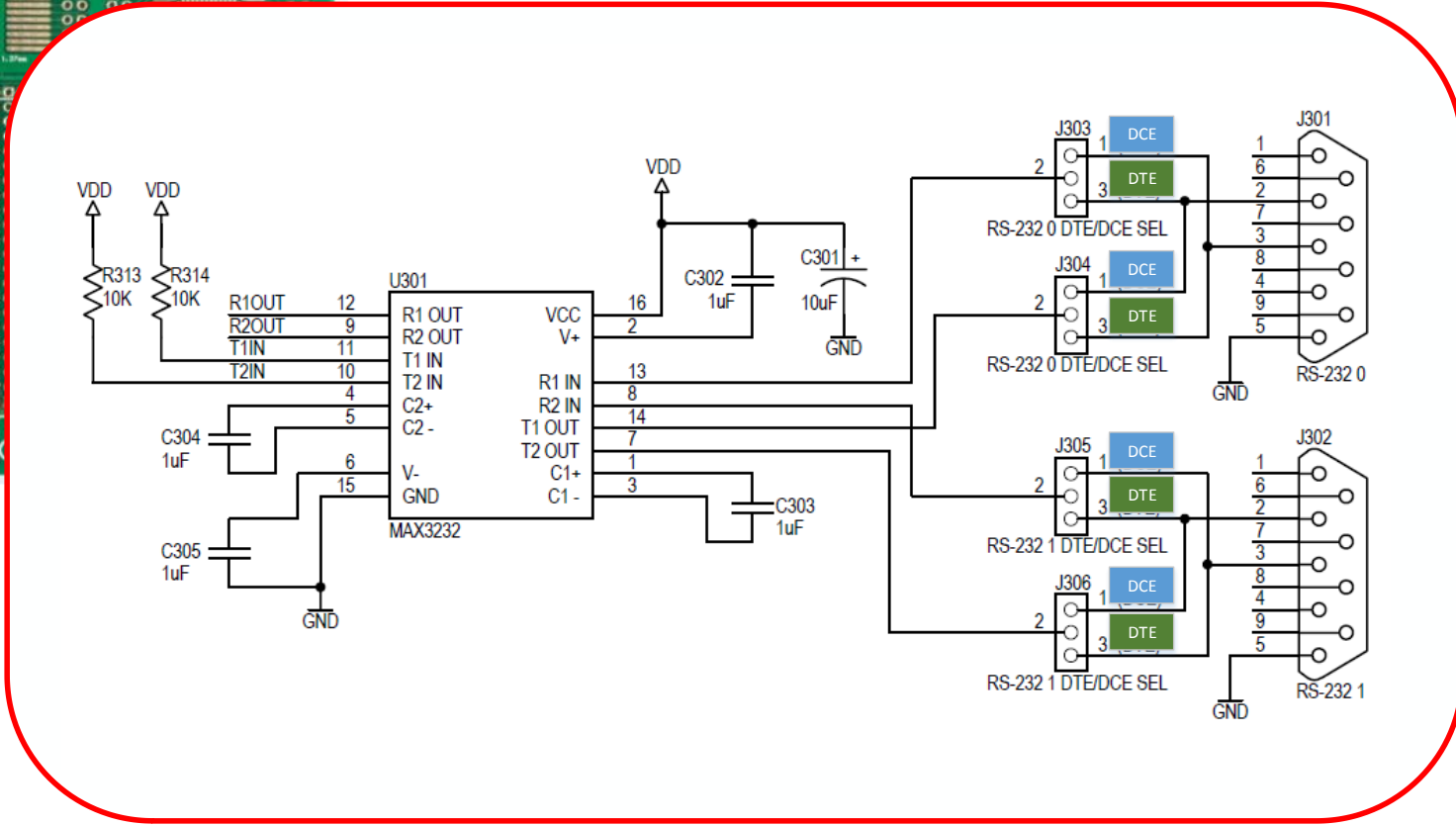
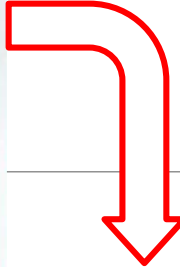
ZIF-zero insertion force

- **S12C128** (MC9S12C128CFU)
- S12DT256 (S9S12DT256CFUE)
- S12XDT512 (with XGATE co-processor)
(MC9S12XDT512MFU)

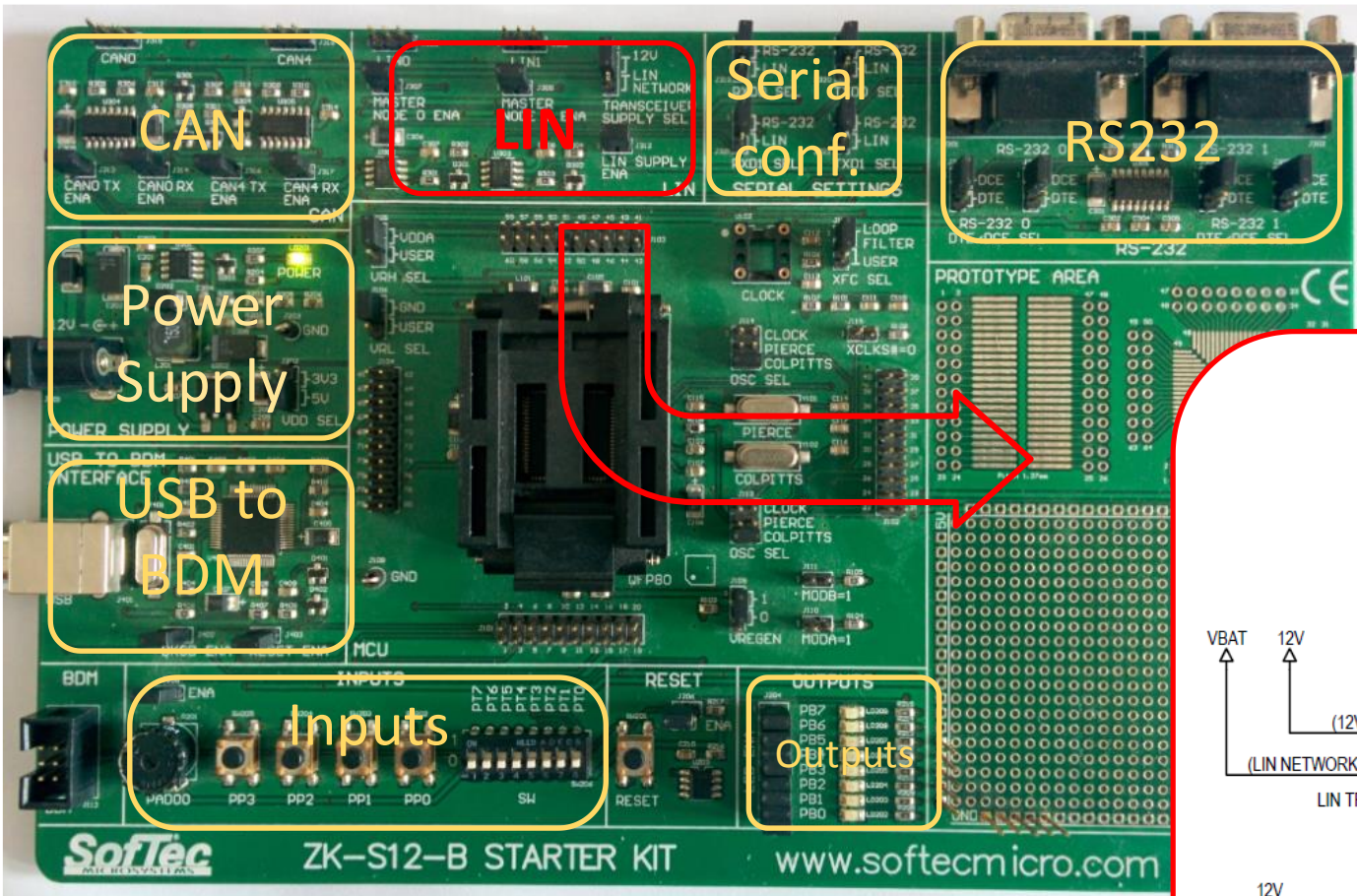


Serial conf.

RS232



DTE (Data Transmission Equipment)
 DCE (Data Communication Equipment)
 config. by J303-J306 jumpers



CAN

LIN

Serial conf.

RS232

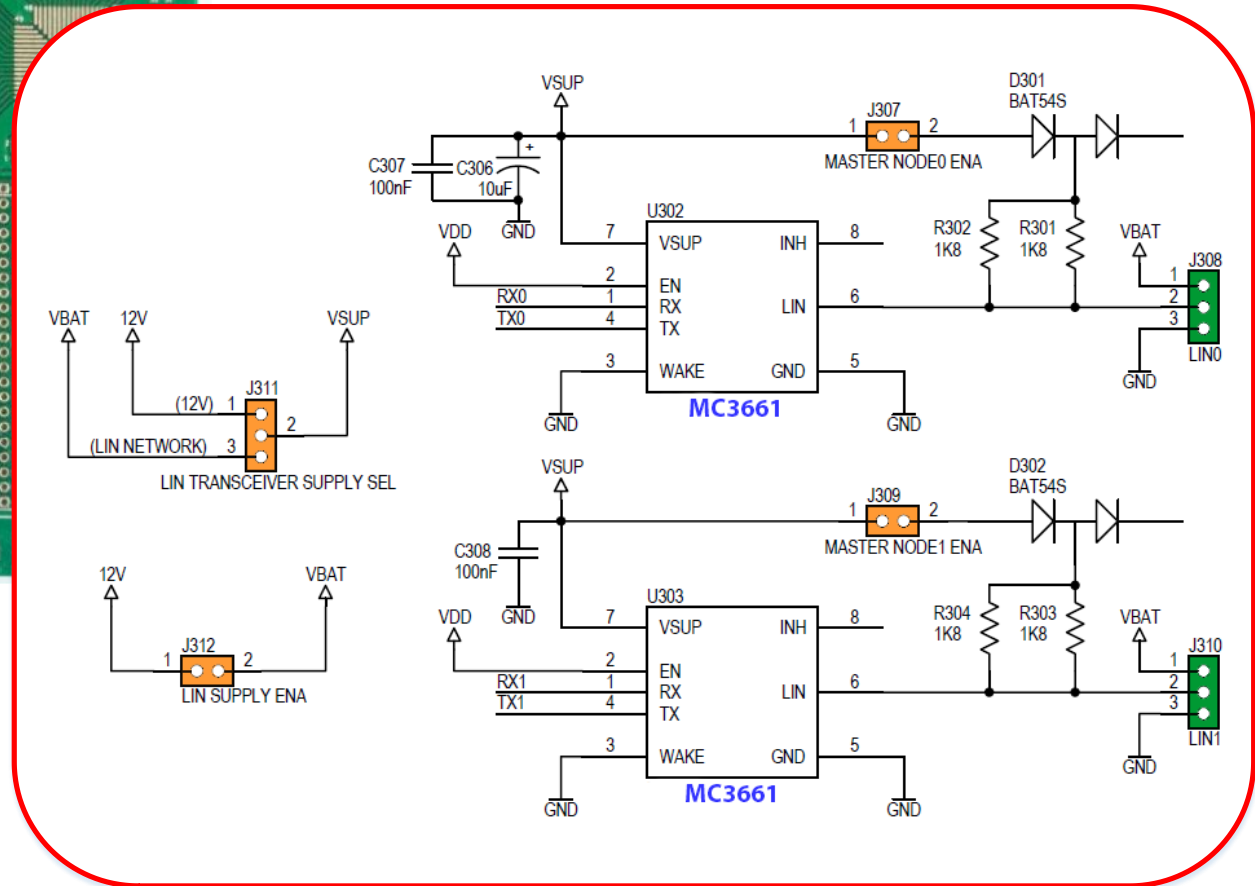
Power Supply

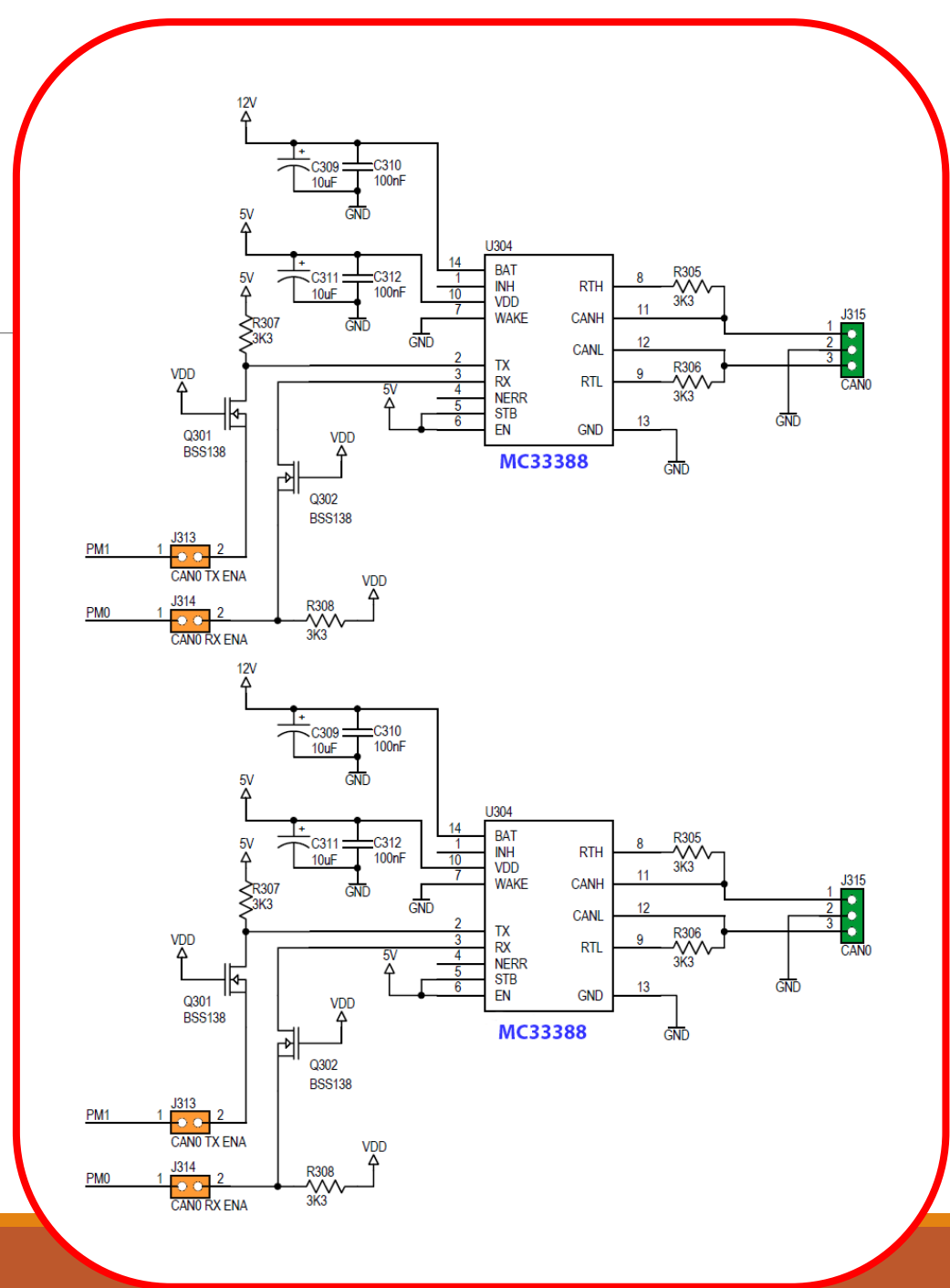
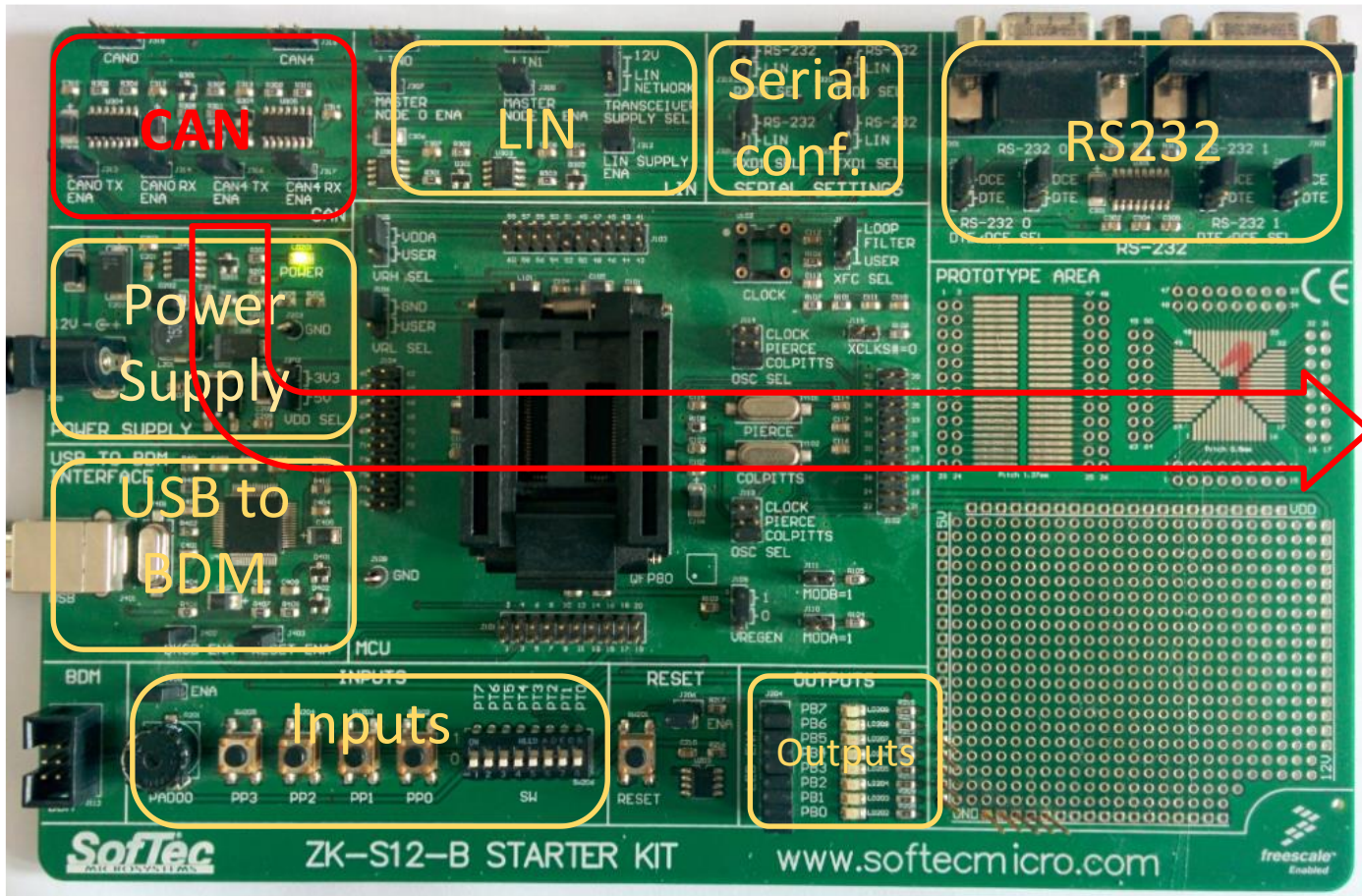
USB to BDM

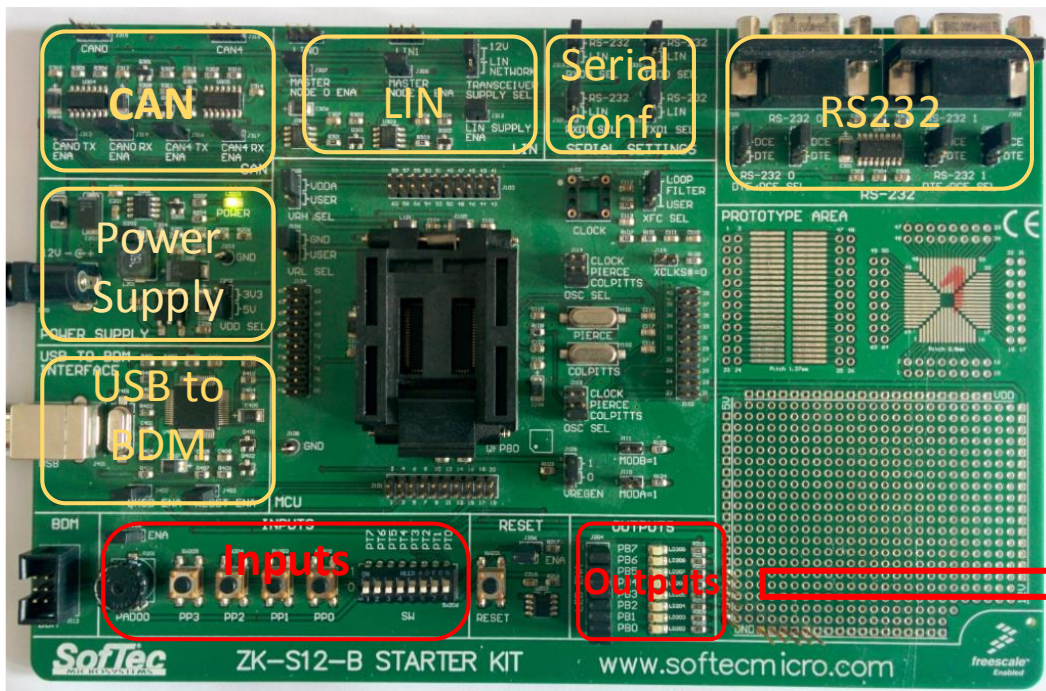
Inputs

Outputs

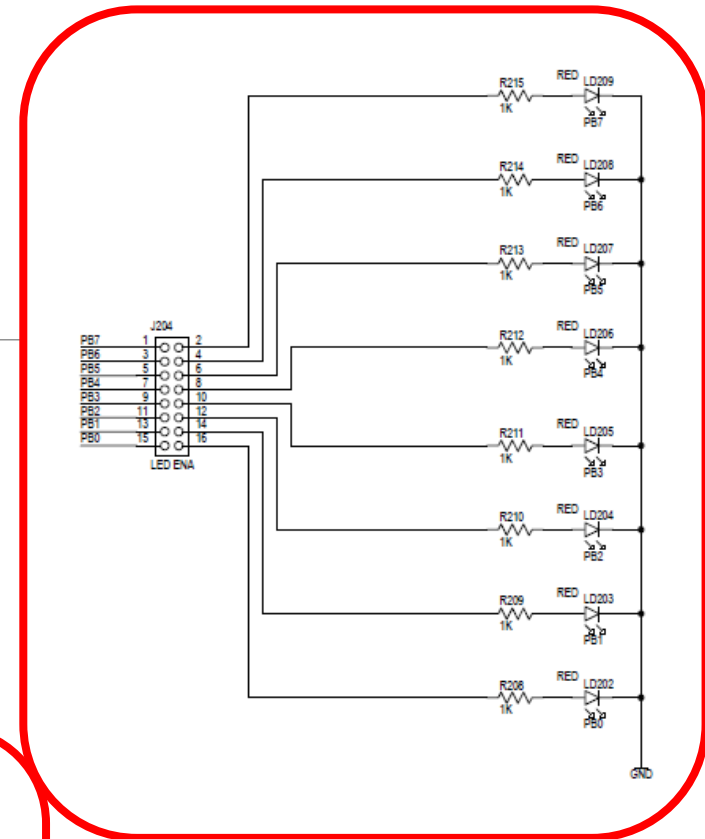
2x LIN transceivers
 MAX 100 Kbps in fast mode
 Configurable as master node







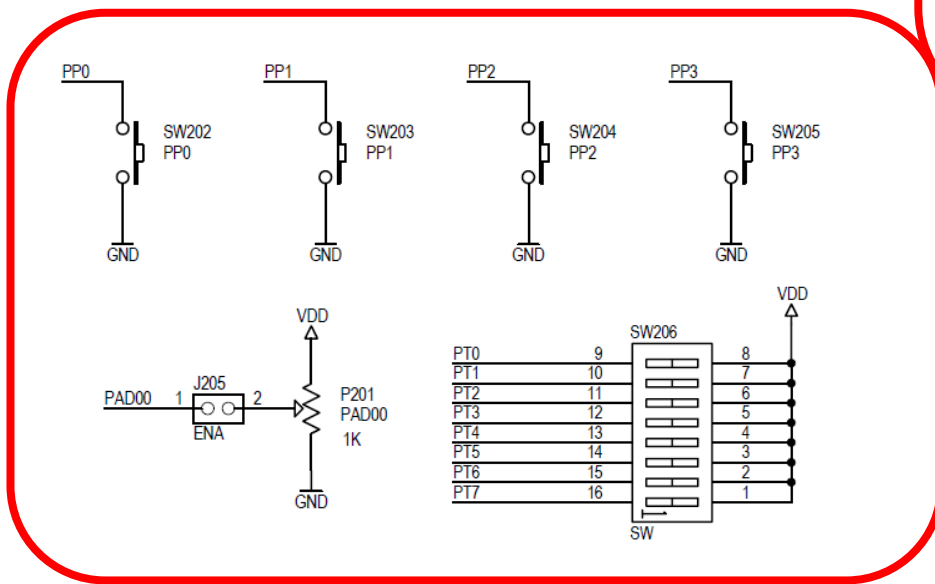
Outputs
LED's -PB0-PB7

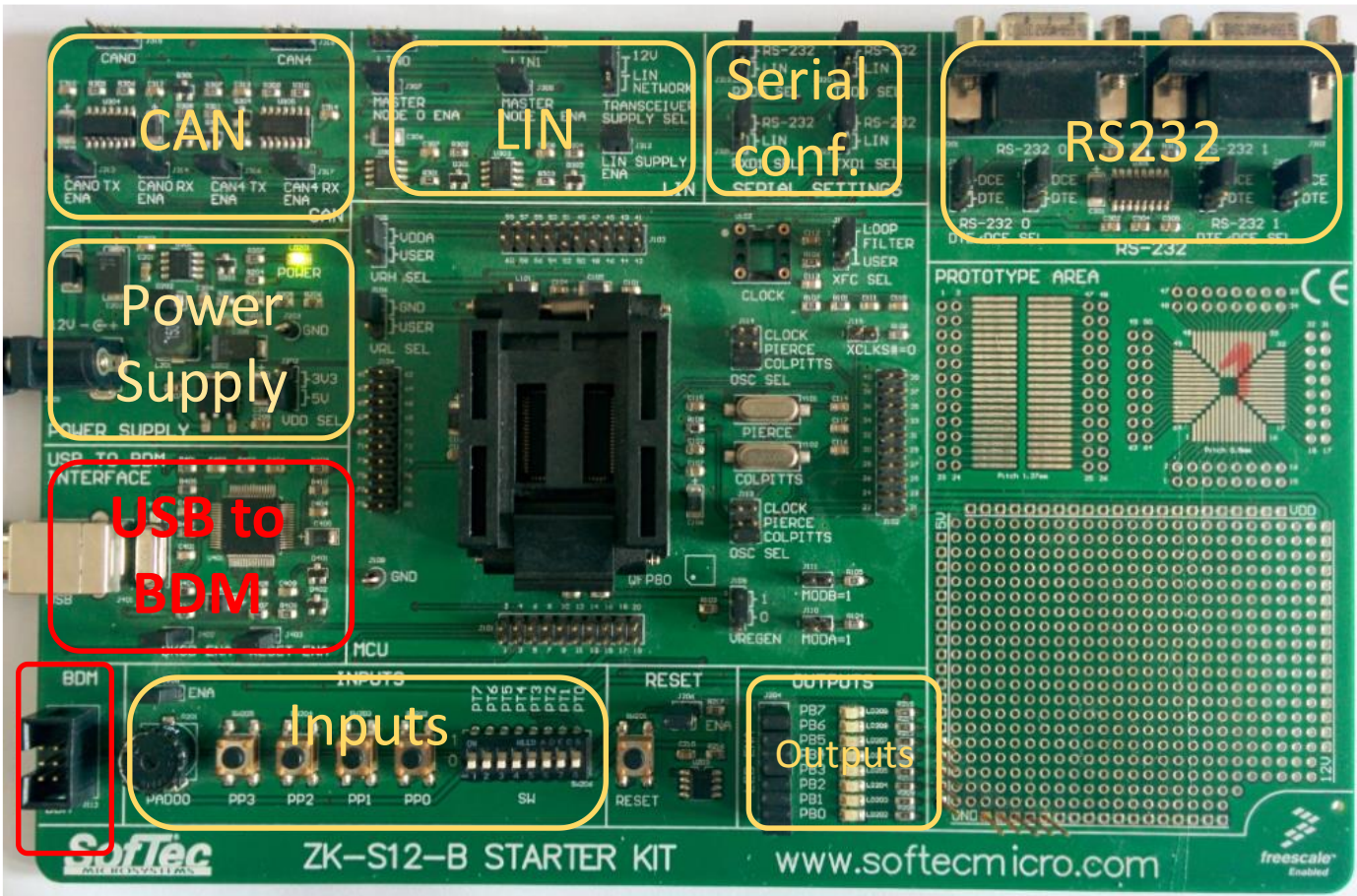


Inputs

4x push-butons PP0 - PP3

DIP-switches connected to Port T
potentiometer, PAD00.





USB TO BDM INTERFACE
BDM INTERFACE

Debugging & programming